

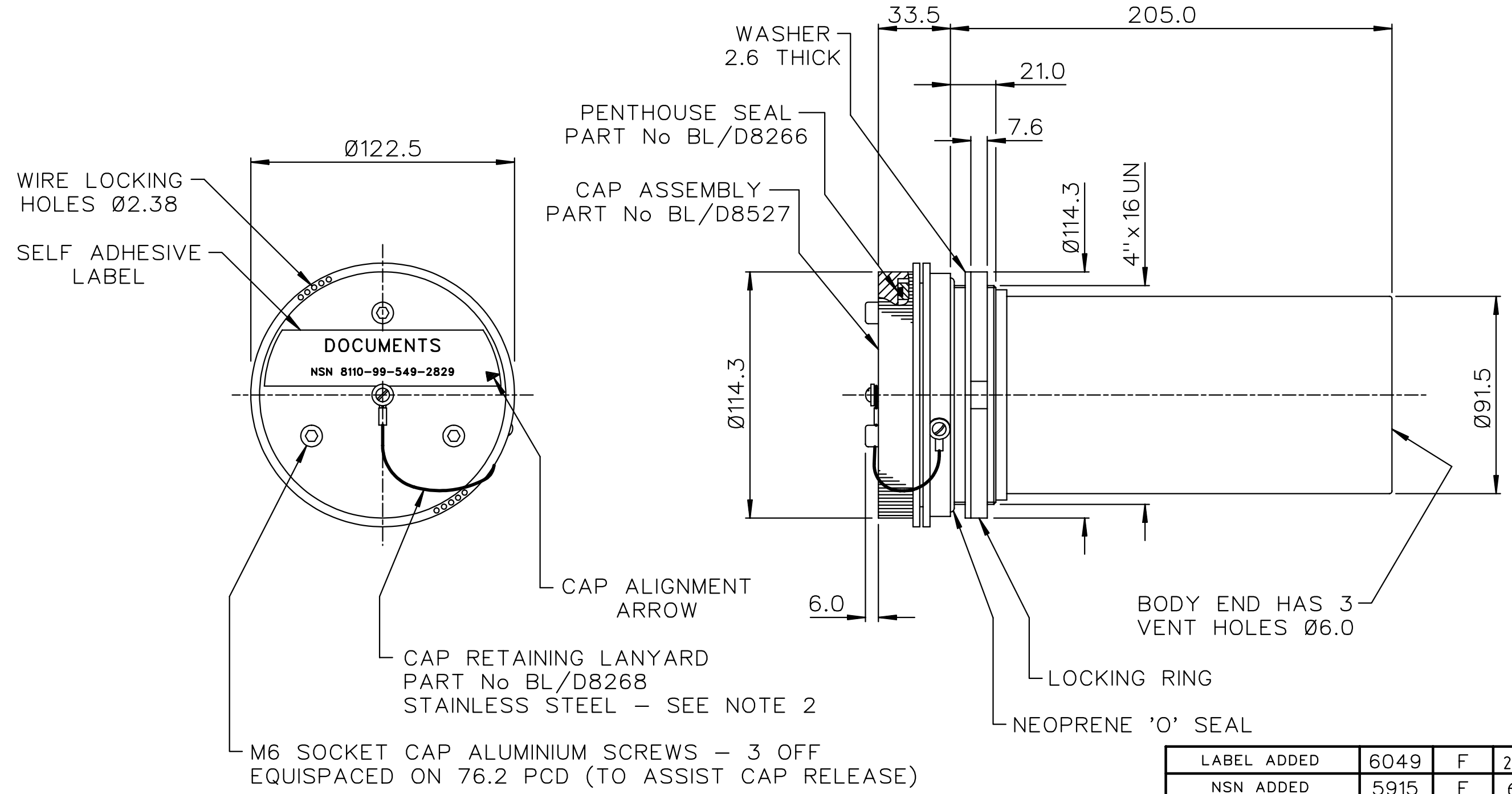
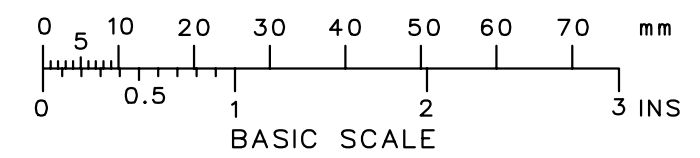
THIS DESIGN IS THE PROPERTY OF BROWNELL LTD
AND MAY NOT BE COPIED OR REPRODUCED
WITHOUT THEIR PRIOR WRITTEN PERMISSION

DRG No
BL/D 7943 INST
USED ON

THIRD ANGLE PROJECTION

REMOVE ALL SHARP EDGES UNLESS SPECIFIED

DO NOT SCALE - ASK



NOTES

- DOCUMENT HOLDER IS LEAK TESTED AT 1 PSI.
- WIRE ENDS OF CAP RETAINING LANYARD MUST NOT PROTRUDE BEYOND THE ENDS OF THE FERRULES.

| | | | |
|--|--------|-------|----------|
| LABEL ADDED | 6049 | F | 26/6/03 |
| NSN ADDED | 5915 | E | 6/3/02 |
| LANYARD NOTE - SCREW MATL & MARKING DETAIL ADDED | 5556 | D | 24/11/99 |
| 33.5 WAS 27.0 - M6 SCREWS & IDENT MARKING ADDED | 5458 | C | 10/5/99 |
| WIRE MOUNTING CHANGED CAP RIM SLOTS DELETED | 5353 | B | 25/11/98 |
| | | A | 26/8/98 |
| CHANGE | MOD No | ISSUE | DATE |

| | | | | | | |
|-----------------------------|--|---|--|------------------------------|-------------|---------|
| MATERIAL ALUMINIUM ALLOY | PROTECTIVE TREATMENT ANODISED BLACK | TOLERANCES UNLESS STATED ± 1.0 | BROWNELL LIMITED LONDON NW10 | CUSTOMER REF. | DRAWN LJ | CHECKED |
| EST. WT. — | | DIMNS IN INS /mm (THR'D INS) | TITLE 8110-99-549-2829 DOCUMENT HOLDER | DRAWING No BL/D 7943 INST | | |
| | | SCALE (ORIGINAL) 1 : 2 | | | | |