

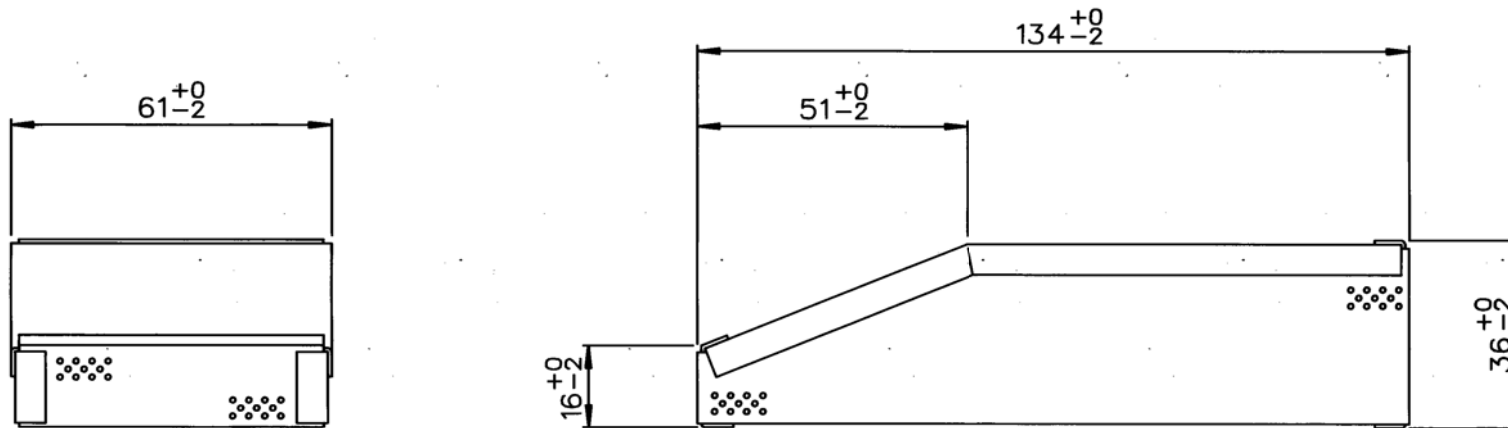
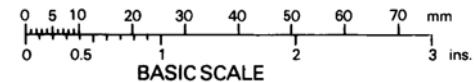
THIS DESIGN IS THE PROPERTY OF BROWNELL LTD. AND MAY NOT BE COPIED OR REPRODUCED WITHOUT THEIR PRIOR WRITTEN PERMISSION.

DRG. No.  
BL/D 7958 INST  
USED ON

THIRD ANGLE PROJECTION

REMOVE ALL SHARP EDGES UNLESS SPECIFIED.

DO NOT SCALE - ASK.



NOTES

1. MATERIAL: 22 SWG PERFORATED ALUM ALLOY SHEET.  
HOLE DIA 0.7 TO 1.2 - OPEN AREA 25% TO 35%.
2. PROTECTIVE FINISH: ANODISED & DYED LIGHT METALLIC BLUE.
3. FILLED WITH MOLECULAR SIEVES DESICCANT, GRADE 4A,  
1/16" PELLETS (USA SOURCED).
4. PACKAGING: WRAPPED IN KRAFT PAPER. PACKED WITH INDICATOR DISC IN  
POLYETHYLENE ENVELOPE & HEAT SEALED. OVER PACKED IN METAL FOIL  
LAMINATE ENVELOPE & HEAT SEALED. OUTER PACKING: FIBREBOARD CARTON.
5. DESICCATOR IS CAPABLE OF WITHSTANDING 250 °C FOR 8 HOURS.

		A	2/9/98
CHANGE	MOD. No.	ISSUE	DATE

MATERIAL SEE NOTE 1	PROTECTIVE TREATMENT SEE NOTE 2	TOLERANCES UNLESS STATED AS STATED	BROWNELL LTD. LONDON, N.W.10.	CUSTOMERS REF.	DRAWN LJ	CHECKED [Signature]
EST. WT. -		DIMNS. IN mm/m.m. SCALE (ORIGINAL) 1 : 1	TITLE DESICCANT CONTAINER DEHUMIDIFIER (STATIC)	DRAWING No. BL/D 7958 INST		