

DRG.No.
BL/D8012 INST

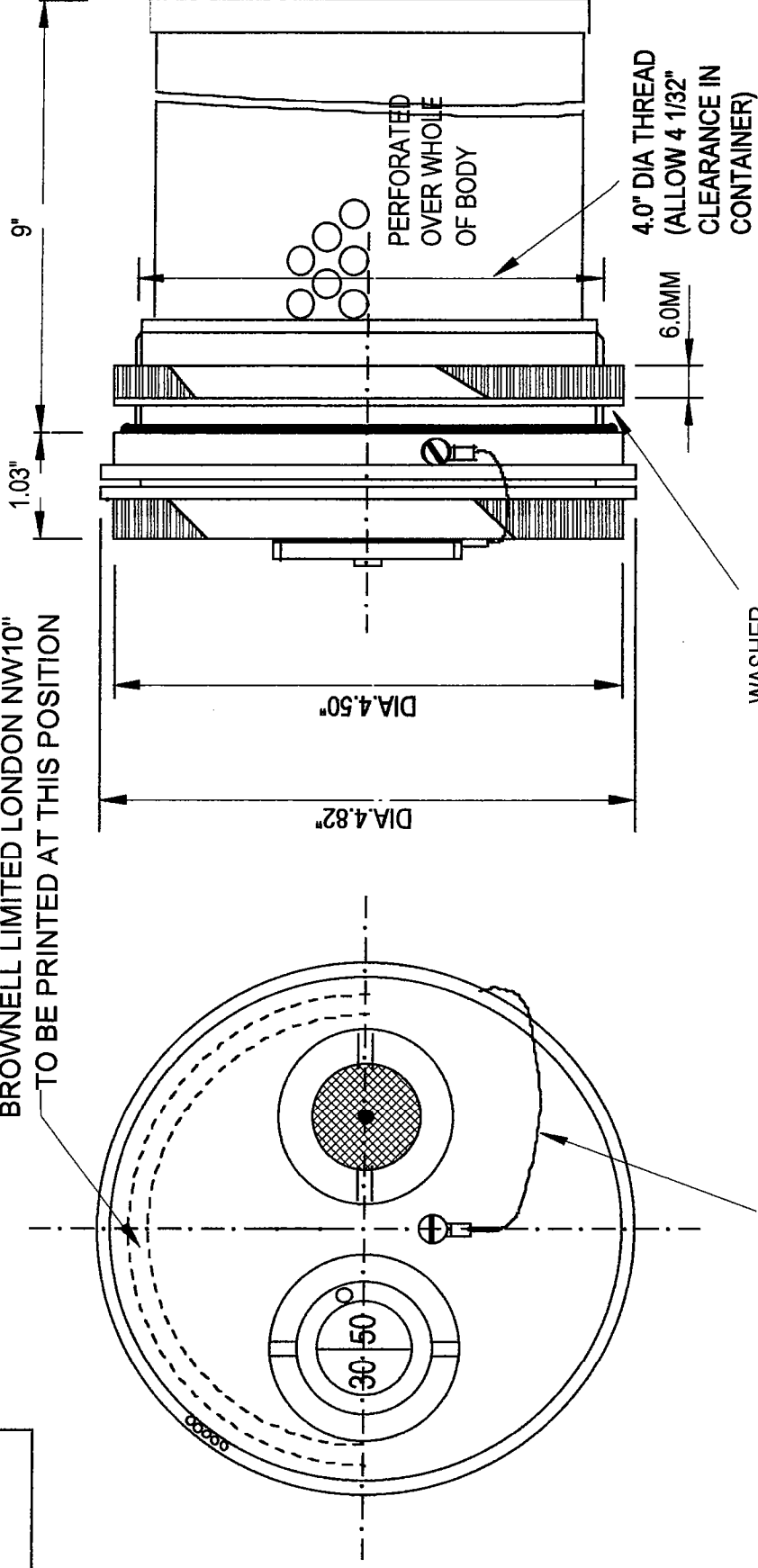
USED ON BL/

THIRD ANGLE PROJECTION

THIS DESIGN IS THE PROPERTY OF BROWNELL LTD AND MAY NOT BE REPRODUCED WITHOUT THEIR PRIOR WRITTEN PERMISSION

DO NOT SCALE - ASK

"DESICCANT PORT BLD8013.
BROWNELL LIMITED LONDON NW10"
TO BE PRINTED AT THIS POSITION



RETAINING WIRE TO PREVENT LOSS OF LID

WASHER

ORIGINAL	1	21-8-98
CHANGE	MOD.No.	ISSUE DATE
DRAWN	NGH	CHECKED GGH
DRAWING No.		
BL/D8012 INST		

MATERIAL BODY PERF M/S OTHER PARTS ALUMINIUM ALLOY	PROTECTIVE TREATMENT BODY PASSIVATED OTHER PARTS ANODISE TO DEF STAN 03-25/2 & DYE BLACK	TOLERANCES	BROWNELL LTD.LONDON.NW10
	EST.WT. DIMNS. IN INS.& MM. SCALE	TITLE DESICCANT PORT WITH 2 WAY VALVE, MANUAL RELIEF, HUMIDITY INDICATOR AND 1KG DESICCANT BASKET	DRAWING No.