

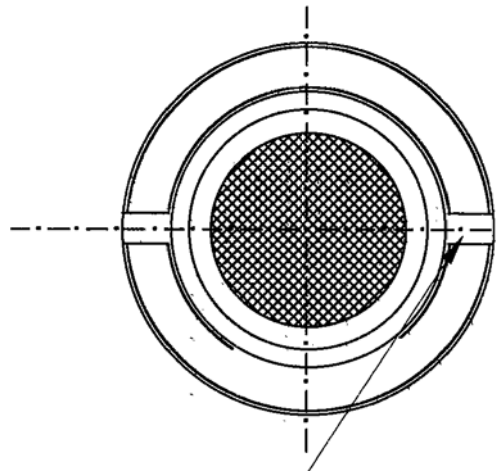
DRG.No.  
BL/D8042/01-03 INST

USED ON BL/

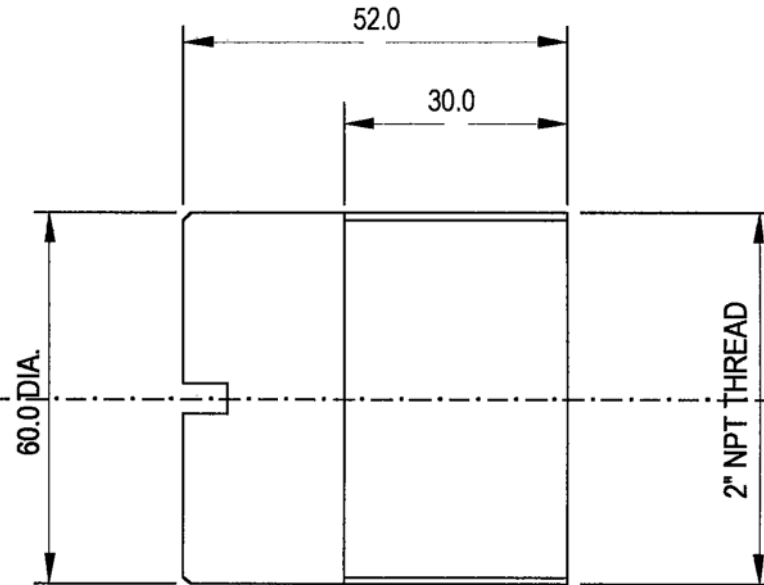
**THIRD ANGLE PROJECTION**

THIS DESIGN IS THE PROPERTY OF BROWNELL LTD AND MAY NOT BE REPRODUCED WITHOUT THEIR PRIOR WRITTEN PERMISSION

**DO NOT SCALE - ASK**



KEYSLOT 4.0 WIDE X 6.0 DEEP



DIRECTION OF FLOW

DRAWING No.	OPENING PRESSURE	VALVE SEAT MATERIAL
BLD8042/01	2.0 ± 0.25PSIG	VITON
BLD8042/02	6" ± 2" Wg	NITRILE
BLD8042/03	20" ± 2" Wg	NITRILE

CHANGE	MOD.No.	ISSUE	DATE
TABLE ADDED	5659	2	22-5-00
ORIGINAL		1	5-11-98

MATERIAL 316 STAINLESS STEEL	PROTECTIVE TREATMENT NONE	TOLERANCES
		EST.WT.
		DIMNS. IN/INS
		SCALE

**BROWNELL LTD.LONDON.NW10**

TITLE  
316 S/STEEL VALVE WITH  
2" NPT CONNECTION

DRAWING No.  
**BL/D8042/01-03 INST**