

DRG.No.

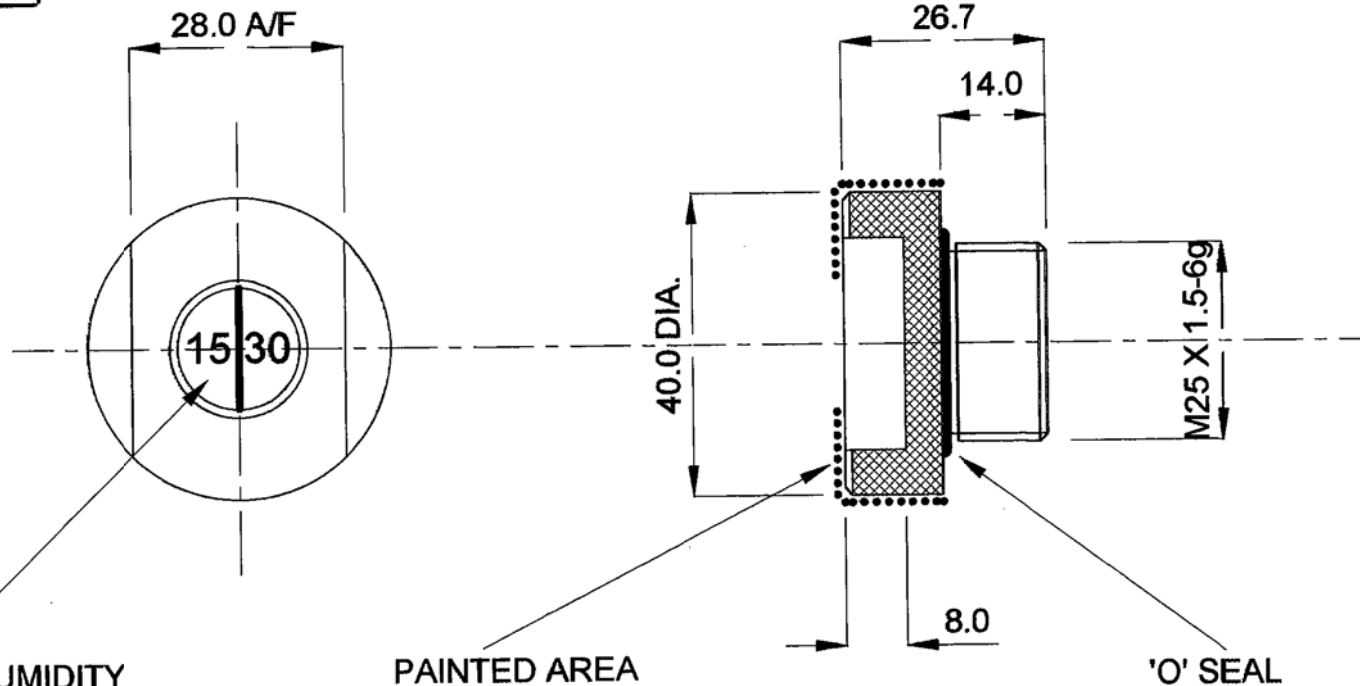
BL/D8169 INST

USED ON BL/

# THIRD ANGLE PROJECTION

THIS DESIGN IS THE PROPERTY OF BROWNELL LTD AND MAY NOT BE REPRODUCED WITHOUT THEIR PRIOR WRITTEN PERMISSION

DO NOT SCALE - ASK



SPLIT LEVEL HUMIDITY INDICATOR 15% & 30%RH

PAINTED AREA

'O' SEAL

SURFACES, INCLUDING C/BORE SIDES IN AREA OF INDICATOR, MARKED THUS..... TO BE PAINTED MATT BLACK CATALYSED EPOXIDE RESIN COMPLYING WITH DTD5555A IN ACCORDANCE WITH 354/405 SCHEME 1A

ORIGINAL		1	18-12-98

MATERIAL 316 STAINLESS STEEL	PROTECTIVE TREATMENT NONE	TOLERANCES	BROWNELL LTD.LONDON.NW10			
			TITLE R.F.SCREENED INDICATOR HUMIDITY PLUG			
		EST.WT.	DRAWN	HMH	CHECKED	GGH
		DIMNS. IN MM.	DRAWING No. BL/D8169 INST			
		SCALE				