

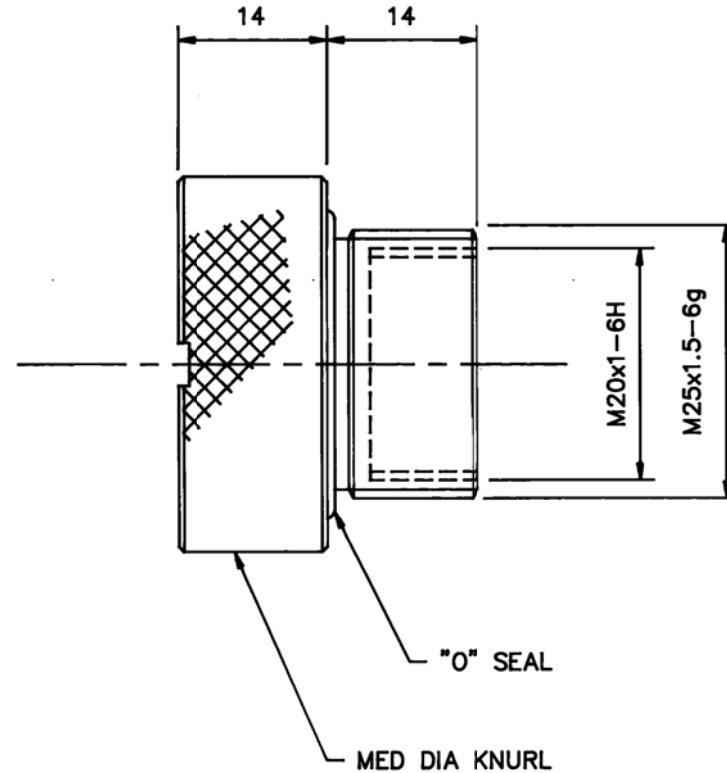
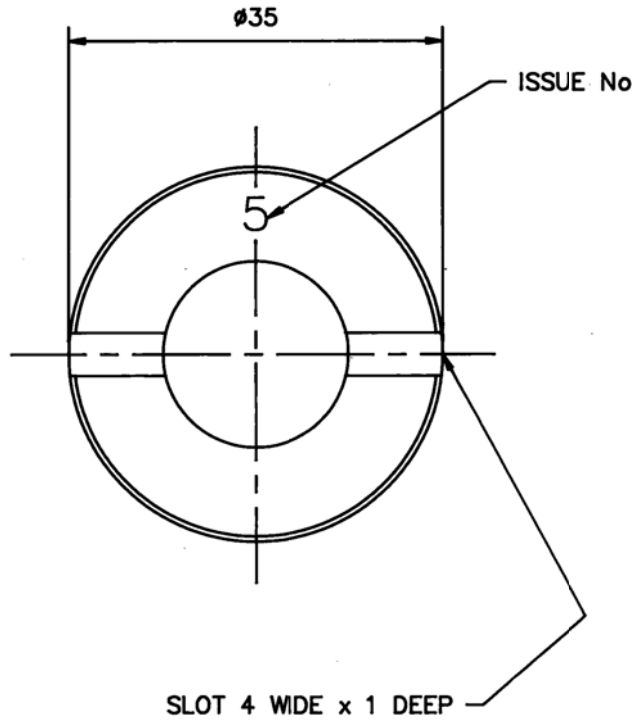
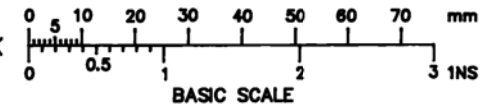
DRG No
BL/D8405 INST

USED ON

THIRD ANGLE PROJECTION

REMOVE ALL SHARP EDGES UNLESS SPECIFIED

DO NOT SCALE - ASK



NOTES

1. OPENING PRESSURE 1.5 PSI INWARD AND OUTWARD
2. INTERNAL THREAD M20x1 TO SUIT BL/D2896/1 DESICCATOR

	5921	5	12/3/03
	5806	4	17/2/00
	5587	3	19/1/00
	5518	2	14/9/99
		1	23/8/99
CHANGE	MOD No	ISSUE	DATE

MATERIAL STAINLESS STEEL		PROTECTIVE FINISH MASK THREAD PAINT YELLOW TO MIL C 85285, TYPE 1 COLOUR CODE No 33538 PER FED-STD-595		TOLERANCES ±0.5		CONTRACTOR BROWNELL Ltd. LONDON NW10		CUSTOMER'S REF		DRAWN PGD		CHECKED	
EST. WT.		DIMENSIONS IN in/mm		SURFACE ROUGHNESS		TITLE DOUBLE DIFFERENTIAL RELIEF VALVE		DRAWING NUMBER BL/D8405 INST					
		SCALE (ORIGINAL)		2:1									