

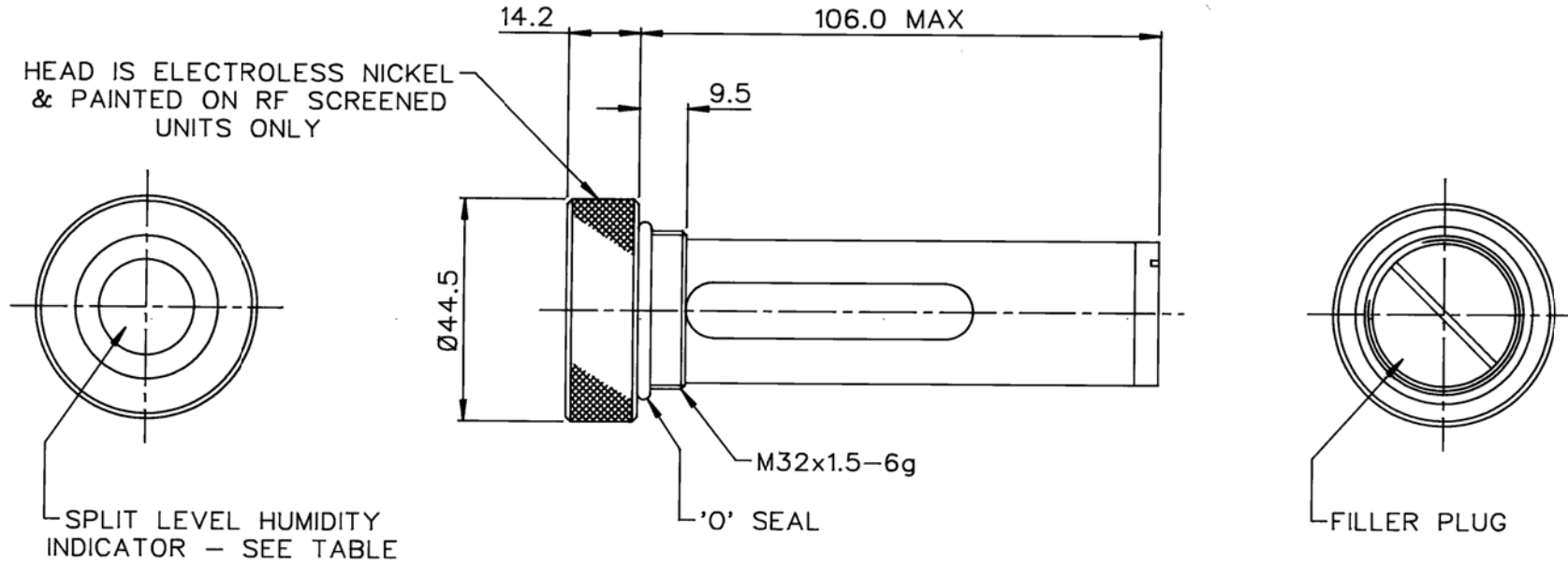
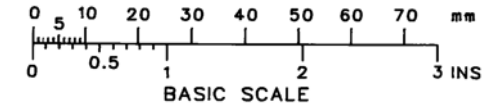
THIS DESIGN IS THE PROPERTY OF BROWNELL LTD
AND MAY NOT BE COPIED OR REPRODUCED
WITHOUT THEIR PRIOR WRITTEN PERMISSION

DRG No
BL/D 8743/01-04 INST
USED ON

THIRD ANGLE PROJECTION

REMOVE ALL SHARP EDGES UNLESS SPECIFIED

DO NOT SCALE - ASK



DRG No	DESICCANT	NOMINAL CONTENTS	INDICATOR LEVELS	RF SCREENED
BL/D8743/01	BEADED SILICA GEL	40 GRMS	30 & 50% RH	NO
BL/D8743/02	MOLECULAR SIEVES	40 GRMS	15 & 30% RH	NO
BL/D8743/03	BEADED SILICA GEL	40 GRMS	30 & 50% RH	YES
BL/D8743/04	MOLECULAR SIEVES	40 GRMS	15 & 30% RH	YES

NOTES

- RF SCREENED UNITS - MOUNTING THREAD IS ELECTROLESS NICKEL FOR RF SCREENING CONTINUITY.
- PACKAGED FOR A SHELF LIFE OF 5 YEARS.

		A	10/4/00
CHANGE	MOD No	ISSUE	DATE
CUSTOMER REF.		DRAWN	CHECKED
		LJ	

MATERIAL ALUM ALLOY	PROTECTIVE TREATMENT ANODISED (UNLESS OTHERWISE STATED)	TOLERANCES UNLESS STATED ±0.8	BROWNELL LIMITED LONDON NW10	DRAWING No BL/D 8743/01-04 INST	
EST. WT. —		DIMNS IN mm SCALE (ORIGINAL) 1 : 1	TITLE DESICCANT CONTAINER DEHUMIDIFIER PANEL MOUNTING		