

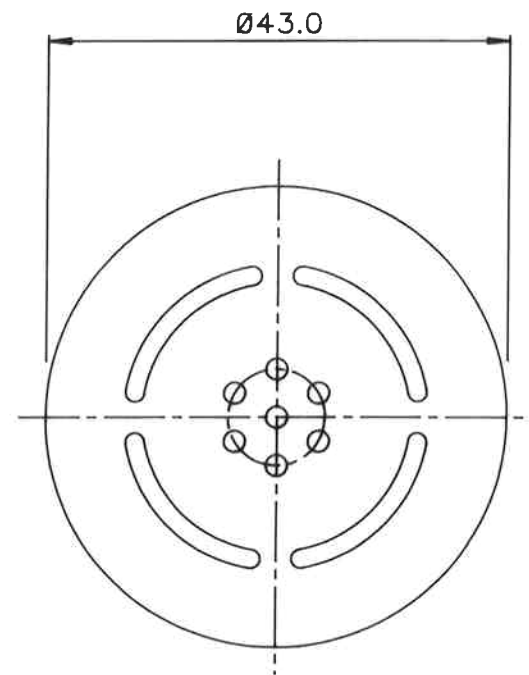
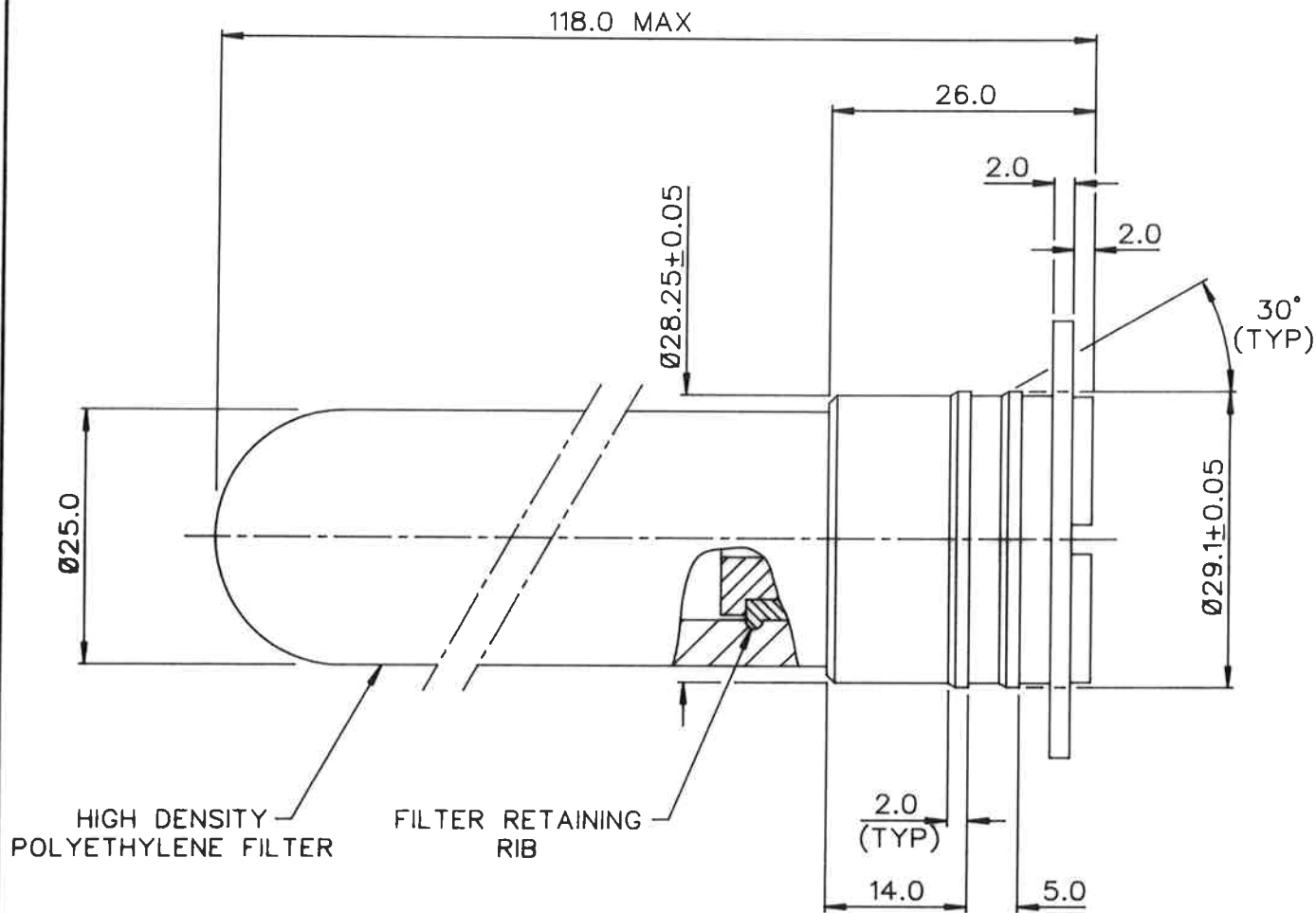
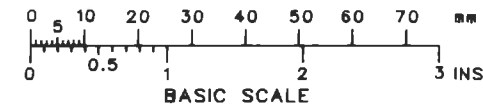
THIS DESIGN IS THE PROPERTY OF BROWNELL LTD AND MAY NOT BE COPIED OR REPRODUCED WITHOUT THEIR PRIOR WRITTEN PERMISSION

DRG No
BL/D 8744 INST
USED ON

THIRD ANGLE PROJECTION

REMOVE ALL SHARP EDGES UNLESS SPECIFIED

DO NOT SCALE - ASK



RELIEF DIRECTION →

PERFORMANCE

TYPICAL OPENING PRESSURE 30 TO 50 mbar.
TYPICAL FLOW RATE 10 L/MIN @ 70 mbar.

NOTE: ALL MATERIALS TO BE FDA APPROVED.

SECTION DETAIL CHANGED	5758	4	12/2/01
RETAINING RIB ADDED			
REDRAWN	5707	3	11/10/00
	5670	2	7/5/00
		1	24/4/00
CHANGE	MOD No	ISSUE	DATE

MATERIAL
HOUSING - NATURAL
POLYACETAL
VALVE - SILICONE
RUBBER
EST. WT. —

PROTECTIVE FINISH
NATURAL

TOLERANCES
UNLESS
STATED
±0.5
DIMNS IN mm/mm
SCALE (ORIGINAL) 2 : 1

BROWNELL LIMITED LONDON NW10
TITLE
LOW PRESSURE RELIEF VALVE
(FOOG VENT)

CUSTOMER REF.
DRAWN
LJ
CHECKED
DRAWING No
BL/D 8744 INST