

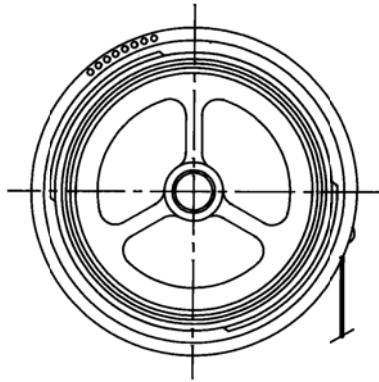
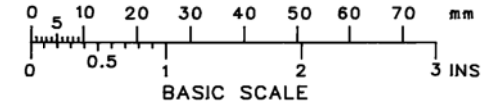
THIS DESIGN IS THE PROPERTY OF BROWNELL LTD
AND MAY NOT BE COPIED OR REPRODUCED
WITHOUT THEIR PRIOR WRITTEN PERMISSION

DRG No
BL/D 8840 INST
USED ON BL/D 8842

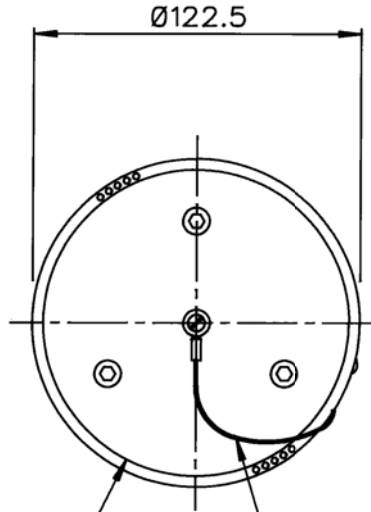
THIRD ANGLE PROJECTION

REMOVE ALL SHARP EDGES UNLESS SPECIFIED

DO NOT SCALE - ASK

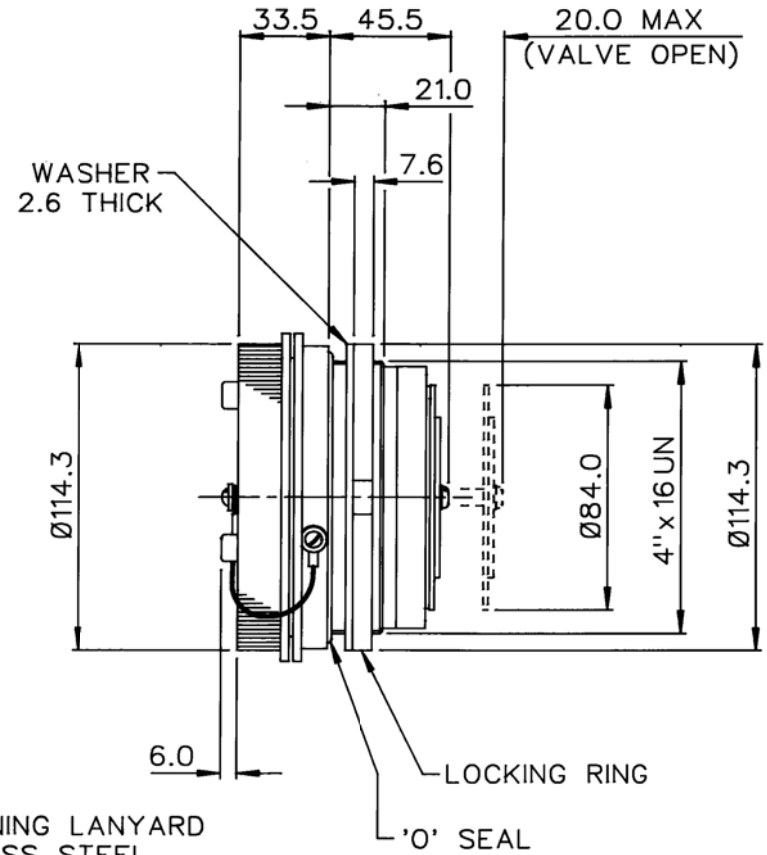


VIEW WITH CAP REMOVED



REMOVE CAP TO CONNECT
VALVE COUPLING

CAP RETAINING LANYARD
STAINLESS STEEL



MATERIAL
ALUMINIUM
ALLOY

PROTECTIVE FINISH
ANODISED
BLACK

TOLERANCES
UNLESS
STATED

±1.5

DIMNS IN ~~INS~~/mm (THR'D INS)
SCALE (ORIGINAL) 1 : 2

BROWNELL LIMITED LONDON NW10
TITLE

SELF SEALING VALVE

		A	16/11/00
CHANGE	MOD No	ISSUE	DATE

CUSTOMER REF.

DRAWN
LJ

CHECKED

DRAWING No

BL/D 8840 INST

EST. WT. —