

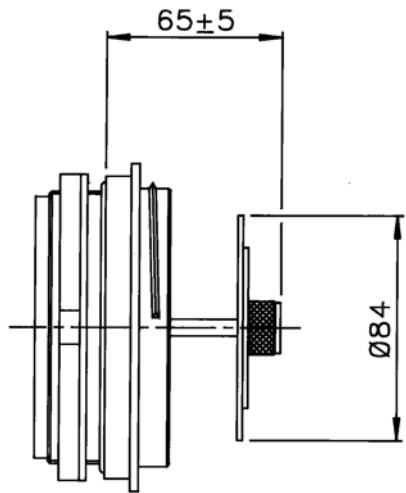
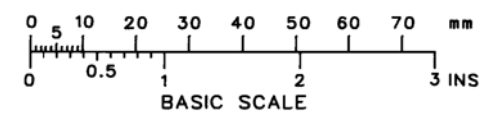
THIS DESIGN IS THE PROPERTY OF BROWNELL LTD AND MAY NOT BE COPIED OR REPRODUCED WITHOUT THEIR PRIOR WRITTEN PERMISSION

DRG No
BL/D 9021 INST
USED ON

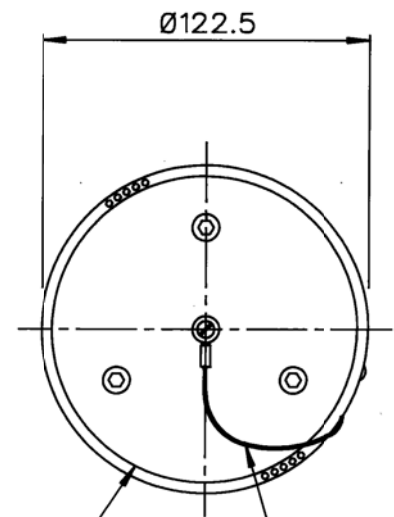
THIRD ANGLE PROJECTION

REMOVE ALL SHARP EDGES UNLESS SPECIFIED

DO NOT SCALE -- ASK

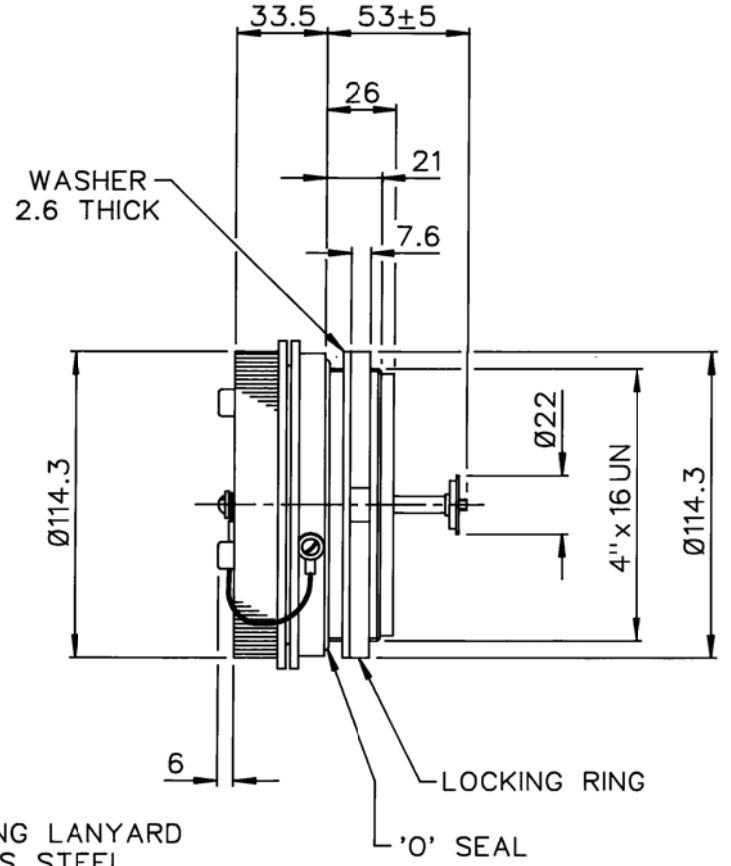


VIEW WITH CAP REMOVED & VALVE POPPET IN THE OPEN POSITION



CAP RETAINING LANYARD
STAINLESS STEEL

REMOVE CAP TO MANUALLY
OPEN VALVE POPPET



NOTE: EXTERNAL FACE OF VALVE POPPET & INTERNAL FACE OF CAP ARE PAINTED RED.

		A	11/6/01
CHANGE	MOD No	ISSUE	DATE

MATERIAL ALUMINIUM ALLOY	PROTECTIVE FINISH ANODISED BLACK SEE NOTE	TOLERANCES UNLESS STATED ±1.0	BROWNELL LIMITED LONDON NW10	CUSTOMER REF.	DRAWN LJ	CHECKED [Signature]
EST. WT. —		DIMNS IN mm /mm (THR'D INS)	TITLE HAND OPERATED RELIEF VALVE WITH CAP	DRAWING No BL/D 9021 INST		
		SCALE (ORIGINAL) 1 : 2				