

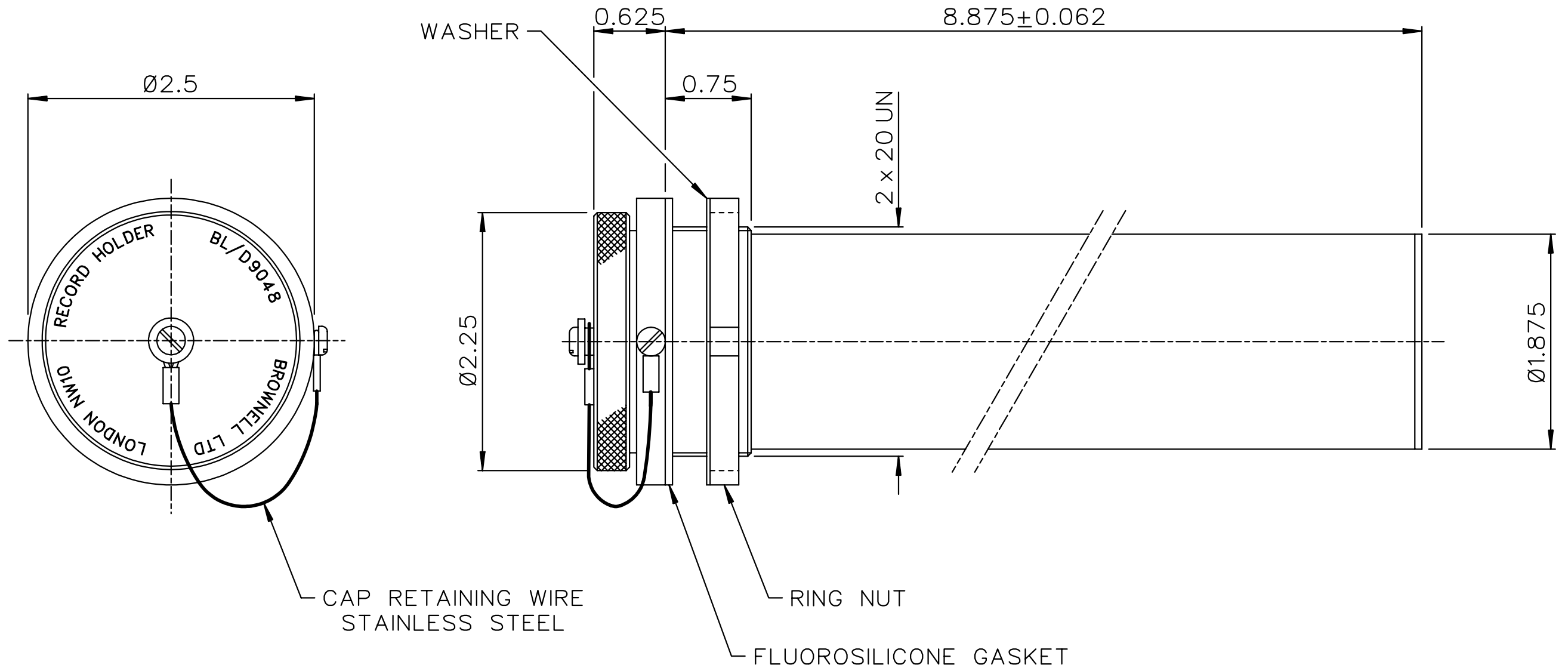
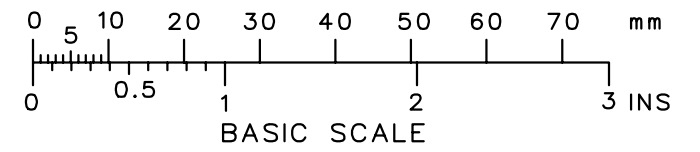
THIS DESIGN IS THE PROPERTY OF BROWNELL LTD
AND MAY NOT BE COPIED OR REPRODUCED
WITHOUT THEIR PRIOR WRITTEN PERMISSION

DRG No
BL/D 9048 INST
USED ON

THIRD ANGLE PROJECTION

REMOVE ALL BURRS & SHARP EDGES

DO NOT SCALE - ASK



NOTES

1. MOUNTING THREAD (2x20 UN), RING NUT AND WASHER ARE ALOCHROMED FOR R. F. SCREENING CONTINUITY.
2. TEST PRESSURE: 5 PSI.
3. MOUNTING HOLE: $\varnothing 2.031$

REDRAWN	5862	B	29/11/01
		A	25/7/01
CHANGE	MOD No	ISSUE	DATE

MATERIAL ALUM ALLOY	PROTECTIVE FINISH ANODISED TO DEF STAN 03-25 & DYED BLACK SEE NOTE 1	TOLERANCES UNLESS STATED ± 0.032	BROWNELL LIMITED LONDON NW10	CUSTOMER REF.	DRAWN LJ	CHECKED
EST. WT. —		DIMNS IN INS/ mm SCALE (ORIGINAL) 1 : 1	TITLE RECORD HOLDER (R F SCREENED)	DRAWING No BL/D 9048 INST		