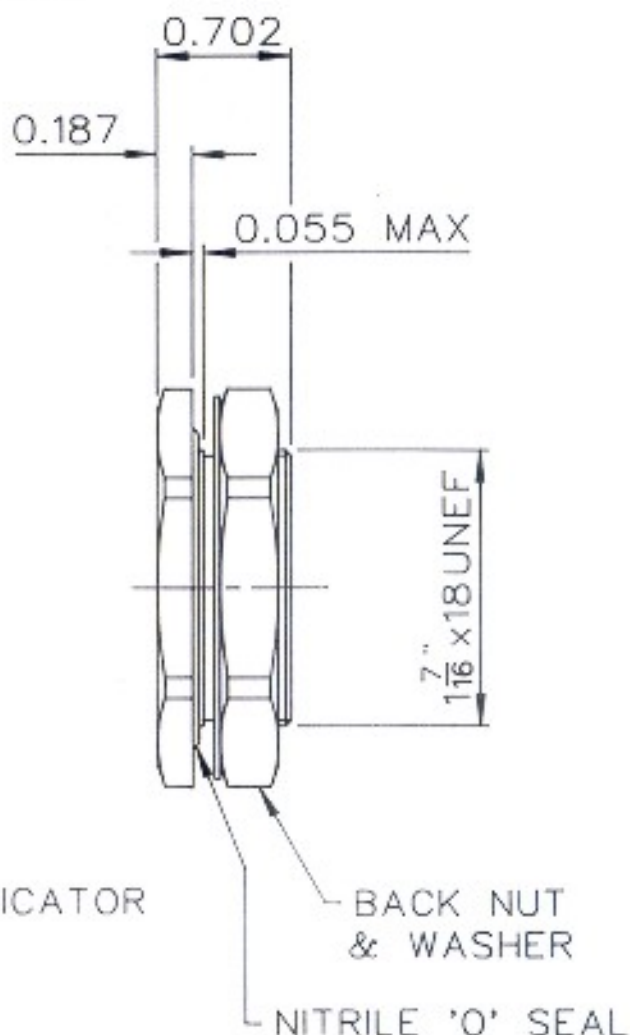
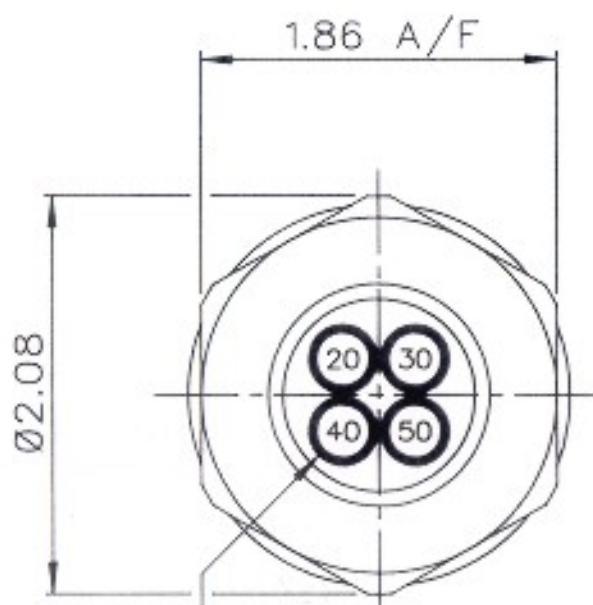


DRG No

BL/D 9049 INST

THIRD ANGLE  
PROJECTION

USED ON



NOTE: BACK NUT, WASHER & THREAD ARE ALOCHROMED FOR R.F. SCREENING CONTINUITY.

PLEASE NOTE

THIS DRAWING WILL NOT BE AUTOMATICALLY  
REPLACED BY SUBSEQUENT ISSUES.

MATERIAL	PROTECTIVE FINISH				
ALUM ALLOY	ANODISED BLACK (UNLESS OTHERWISE STATED)				
EST. WT. —		CHANGE	MOD No	ISSUE	DATE
DIMNS IN INS	SURFACE ROUGHNESS	TOLERANCES			
SCALE 1:1	—	±0.015			

BROWNELL LIMITED LONDON NW10

DRAWN  
LJCHKD  
K

SUB CONT.

SUB CONT. DRG REF.

TITLE  
INDICATOR HUMIDITY  
PLUG (R.F. SCREENED)DRAWING No  
BL/D 9049 INST