

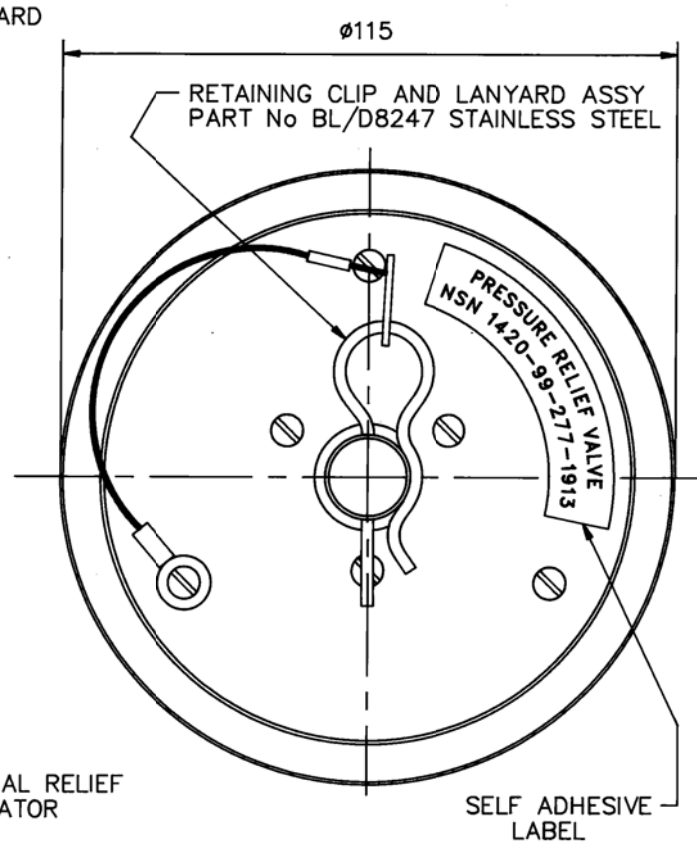
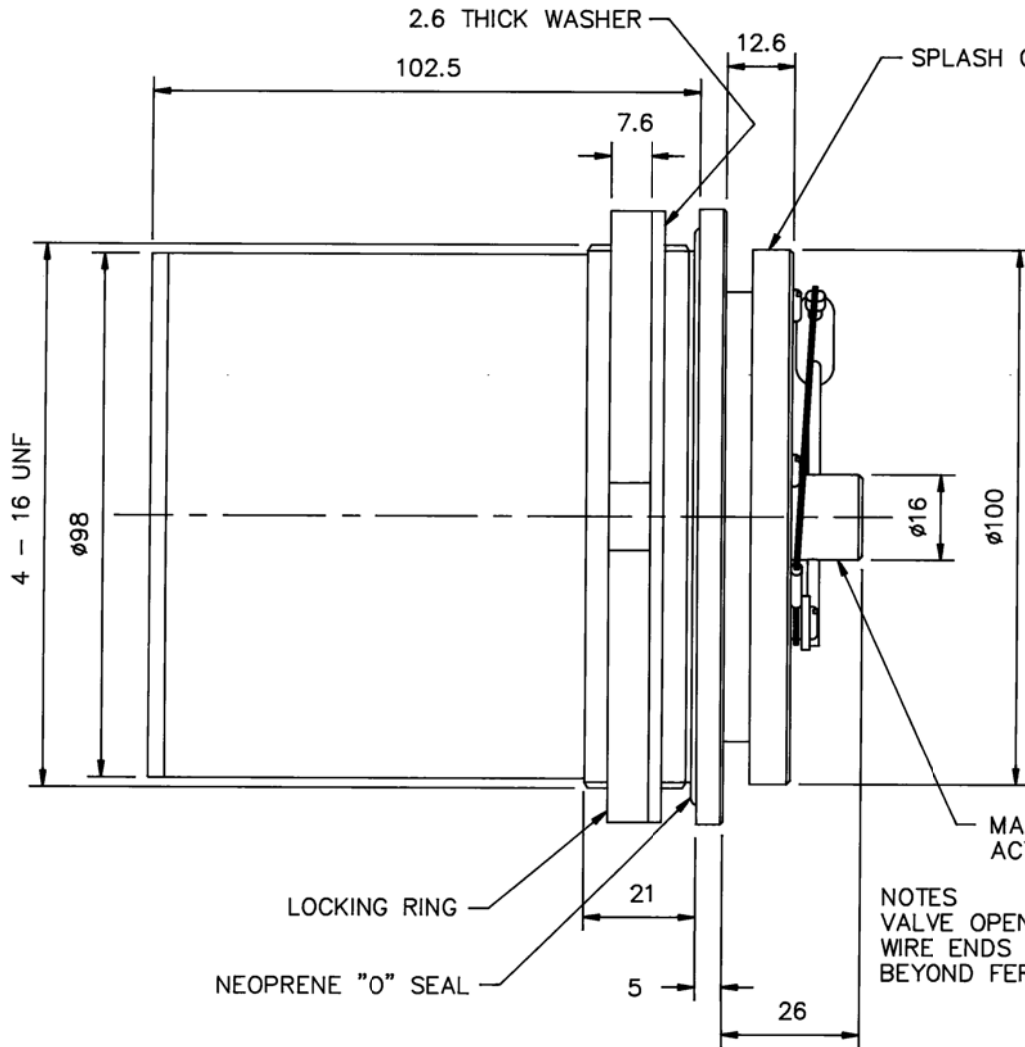
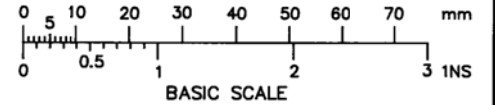
DRG No
BL/D9156 INST

USED ON

THIRD ANGLE PROJECTION

REMOVE ALL SHARP EDGES UNLESS SPECIFIED

DO NOT SCALE - ASK



NOTES
VALVE OPENS BY 0.5 PSI (INWARD & OUTWARD)
WIRE ENDS OF LANYARD DO NOT PROTRUDE
BEYOND FERRULES

LABEL ADDED	6049	3	26/6/03
NSN ADDED	5993	2	7/10/02
		1	18/4/02
CHANGE	MOD No	ISSUE	DATE

MATERIAL ALUMINIUM ALLOY	PROTECTIVE FINISH ANODISED BLACK	TOLERANCES ± 0.5	CUSTOMER BROWNELL Ltd. LONDON NW10	CUSTOMER'S REF	DRAWN PGD	CHECKED
EST. WT.		DIMENSIONS IN in/mm	TITLE 1420-99-277-1913 DOUBLE DIFFERENTIAL RELIEF VALVE	DRAWING NUMBER BL/D9156 INST		
		SURFACE ROUGHNESS				
		SCALE (ORIGINAL)	1:1			