

DRG No
BL/D9291 INST

REMOVE ALL SHARP EDGES UNLESS SPECIFIED

THIRD ANGLE PROJECTION

DO NOT SCALE-ASK

USED ON

NOTES UNLESS OTHERWISE SPECIFIED

1. SPECIFICATIONS:

1.1 THIS ASSEMBLY IS INTENDED FOR MOUNTING IN EITHER A FLEXIBLE BARRIER MATERIAL OR A RIGID WALL. WHEN MOUNTING IN A RIGID WALL, GASKET ADJACENT TO HEX NUT MAY BE DISCARDED AND HEX NUT REVERSED.

2. MATERIALS:

2.1 HOUSING, HEX NUT AND LOCKSCREW: ALUM ALLOY

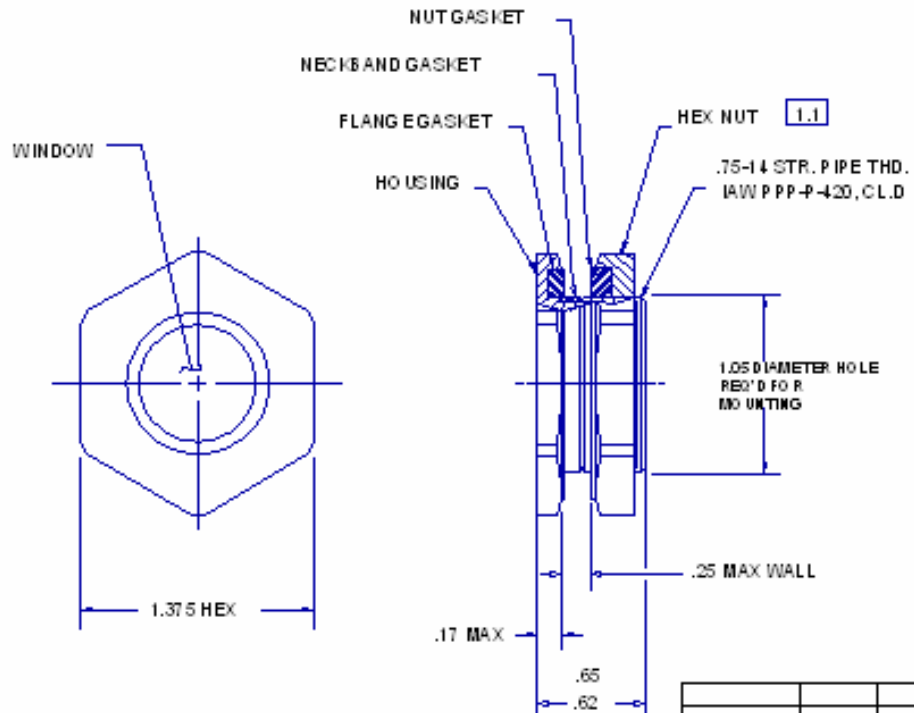
2.2 GASKETS: IAW MIL-R-6855, CLASS II, TYPE A OR B, GRADE 60.

2.3 WINDOW: PLEXIGLAS IAW MIL-P-5425.

3. FINISH: HOUSING, HEX NUT AND LOCKSCREW ANODIZED. IAW MIL-A-8625, TYPE II CLASS I.

4. THE FOLLOWING ITEMS FURNISHED AS PART OF THIS ASSELY MAY BE PURCHASED SEPPERATELY

P/N 350051	FLANGE GASKET
350057	NECK BAND GASKET
356055-16	HEX NUT
356062	NUT GASKET



		1	20-04-02

MATERIAL ALUM ALLOY	PROTECTIVE FINISH AS DETAILED ABOVE	TOLERANCES	0 -±0.5 0.0 -±0.25 0.00 -±0.05
		DIMENSIONS IN mm	THS
		SURFACE ROUGHNESS	
		SCALE (ORIGINAL)	

BROWNELL Ltd. LONDON NW10 7XF

TITLE
OBSERVATION WINDOW (SMALL)

CHANGE	MOD No	ISSUE	DATE
		1	20-04-02
		DRAWN	CHECKED
		J8	R8
DRAWING NUMBER		BL/D9291 INST	

THIS DRAWING IS THE PROPERTY OF BROWNELL LTD. AND MAY NOT BE COPIED OR REPRODUCED WITHOUT THEIR PRIOR WRITTEN PERMISSION