

THIS DESIGN IS THE PROPERTY OF BROWNELL LTD  
AND MAY NOT BE COPIED OR REPRODUCED  
WITHOUT THEIR PRIOR WRITTEN PERMISSION

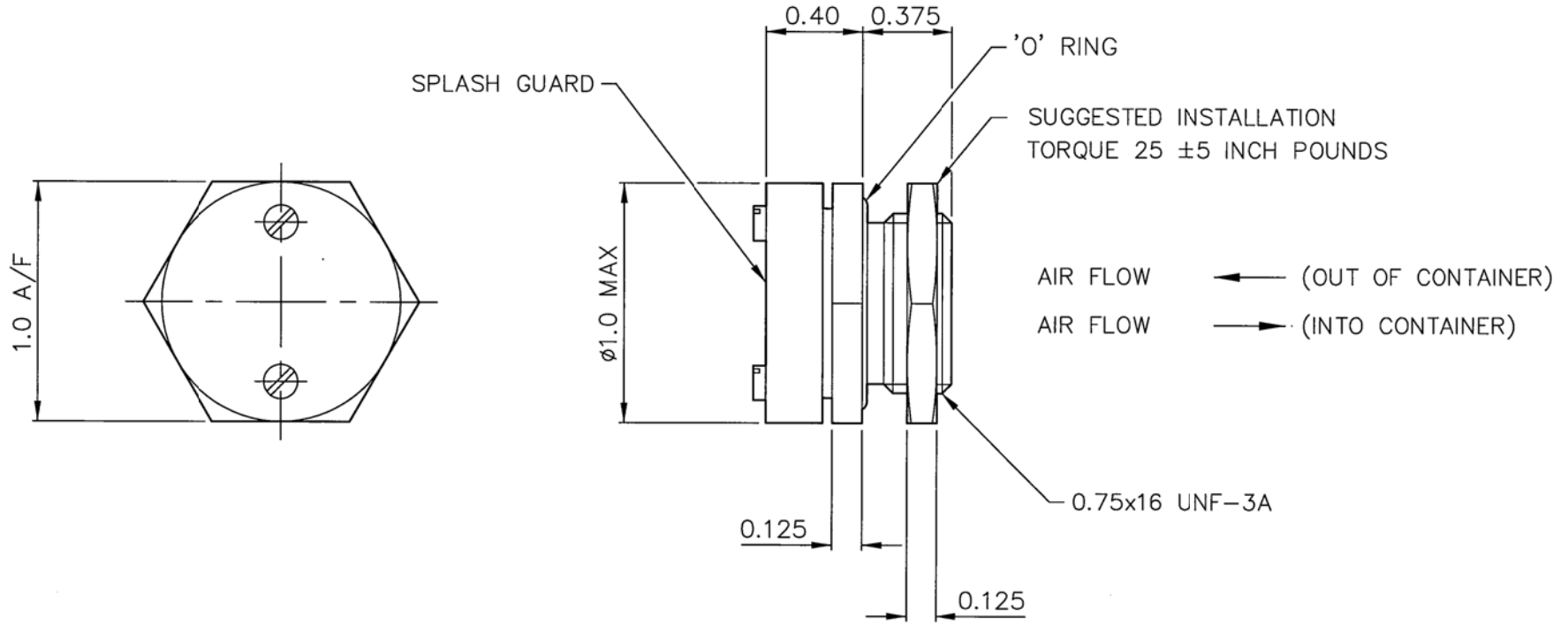
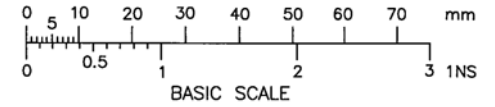
DRG No  
**BL/D 9314 INST**

USED ON

THIRD ANGLE PROJECTION

REMOVE ALL SHARP EDGES UNLESS SPECIFIED

DO NOT SCALE - ASK



INWARD & OUTWARD PRESSURE	DRAWING No.
0.5 P.S.I.	BL/D9314/01
1.0 P.S.I.	BL/D9314/02
1.5 P.S.I.	BL/D9314/03
2.0 P.S.I.	BL/D9314/04
2.5 P.S.I.	BL/D9314/05

<b>ORIGINAL</b>		<b>1</b>	<b>16-02-04</b>
CHANGE	MOD No	ISSUE	DATE

MATERIAL <b>ALUM ALLOY</b>	PROTECTIVE FINISH <b>SPLASH GUARD -ANODISE BLACK/ HOUSING - ALOCHROM</b>	TOLERANCES UNLESS STATED <b>±0.020</b>	DIMNS IN INS/ <del>mm</del> SCALE (ORIGINAL) <b>2 : 1</b>
EST. WT. —			

BROWNELL LTD LONDON NW10  
TITLE  
**VALVE, BREATHER,  
TWO-WAY RELIEF  
(RF SCREENED)**

RED DOT = ORIGINAL  
BLACK DOT = COPY  
DRAWN **PK** CHECKED **PK**  
DRAWING No  
**BL/D 9314/01-05 INST**