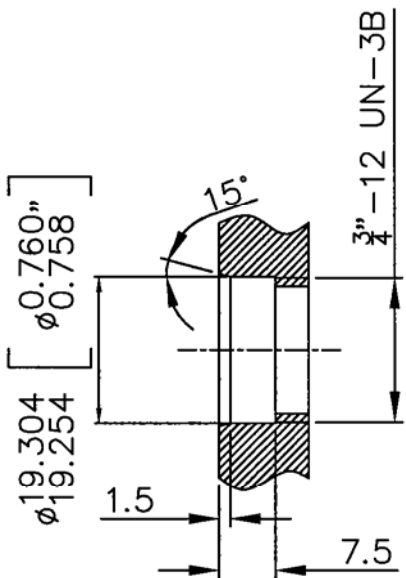
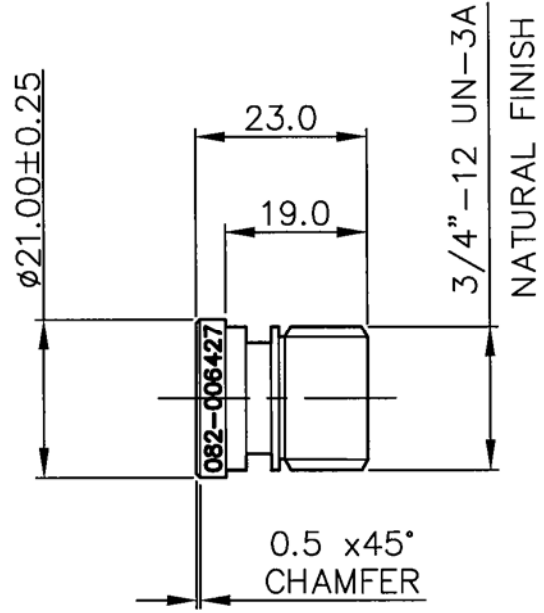
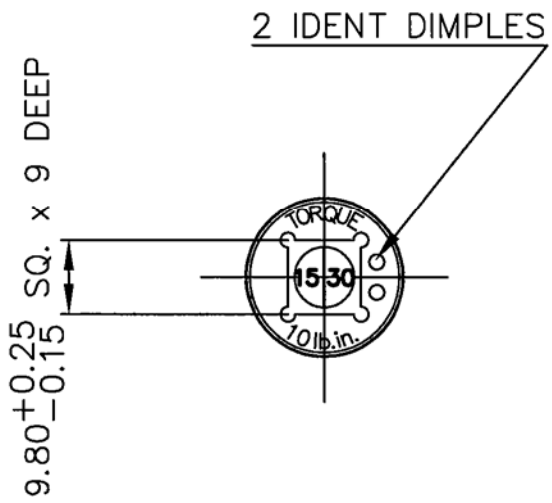
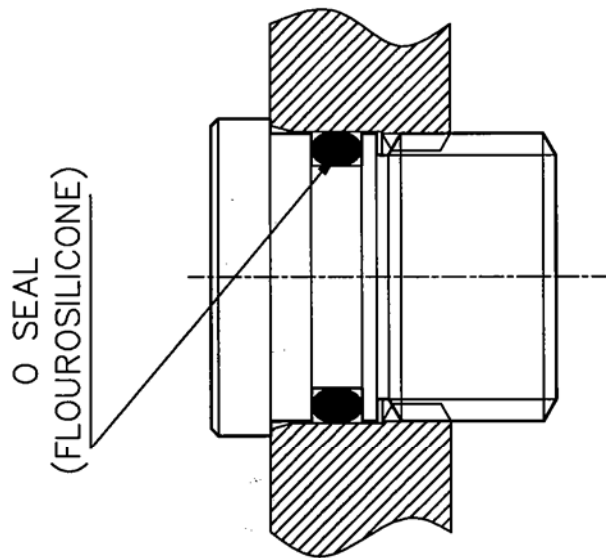


DRG No
BL/D9398 INST
USED ON

THIRD ANGLE PROJECTION



MOUNTING HOLE DETAIL



SCALE 2:1

MATERIAL ALUMINIUM ALLOY	PROTECTIVE FINISH ANODISE & DYE BLUE(EXCEPT 3/4"UN THREAD)				
EST. WT. _____	SURFACE ROUGHNESS _____	CHANGE	MOD No	ISSUE	DATE
DIMS IN MM _____	TOLERANCES _____				
SCALE 1:1		±0.2			
RED DOT = ORIGINAL BLACK DOT = COPY	BROWNELL LTD LONDON NW10 7XF		DRAWN PK	CHECKED 	

TITLE HUMIDITY INDICATOR
PLUG (RF SCREENED)

DRAWING No.
BL/D9398 INST.

THIS DESIGN IS THE PROPERTY OF BROWNELL LTD, AND MAY NOT BE COPIED OR REPRODUCED WITHOUT THEIR PRIOR WRITTEN PERMISSION