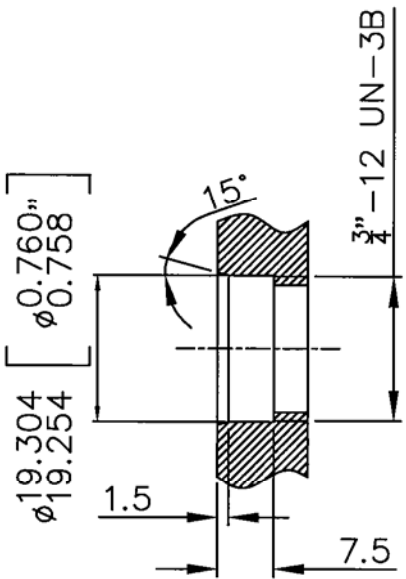
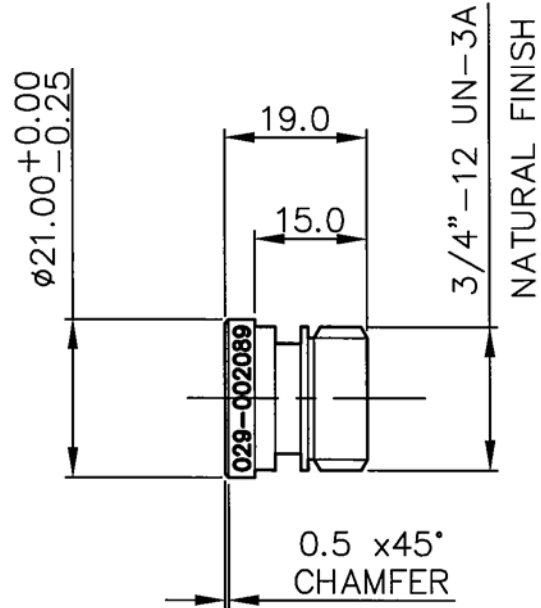
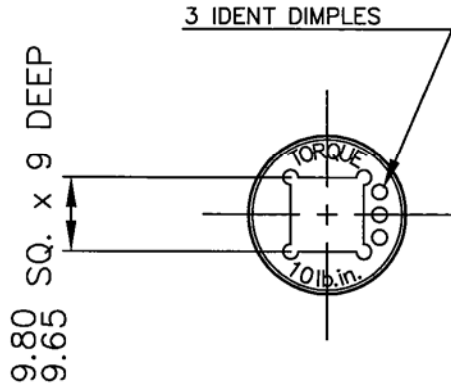


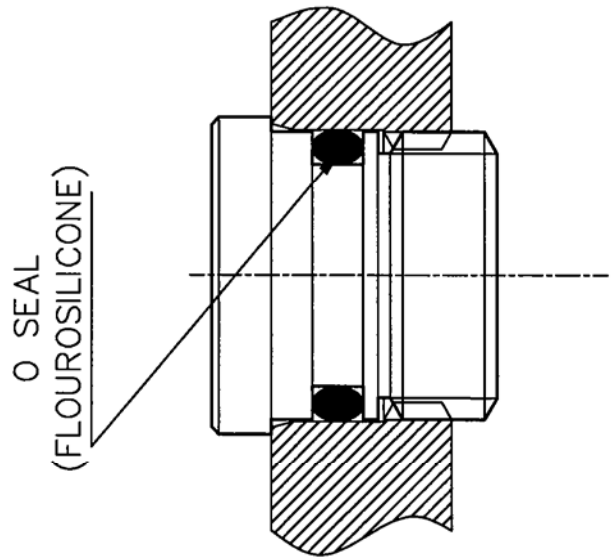
THIS DESIGN IS THE PROPERTY OF BROWNELL LTD. AND MAY NOT BE COPIED OR REPRODUCED WITHOUT THEIR PRIOR WRITTEN PERMISSION

DRG No
BL/D9401 INST
USED ON

THIRD ANGLE PROJECTION



MOUNTING HOLE DETAIL



SCALE 2:1

MATERIAL ALUMINIUM ALLOY	PROTECTIVE FINISH ANODISE & DYE BLACK (EXCEPT 3/4" UN THREAD)			
EST. WT. _____	SURFACE ROUGHNESS _____	REDRAWN	6132	5
DIMS IN MM _____	TOLERANCES _____	CHANGE	MOD No	ISSUE
SCALE 1:1				DATE
				DATE
RED DOT = ORIGINAL BLACK DOT = COPY	BROWNELL LTD LONDON NW10 7XF		DRAWN PK	CHECKED

TITLE DESICCATOR MOUNTING PLUG (RF SCREENED)	DRAWING No. BL/D9401 INST.
-------------------------------------------------------	-------------------------------