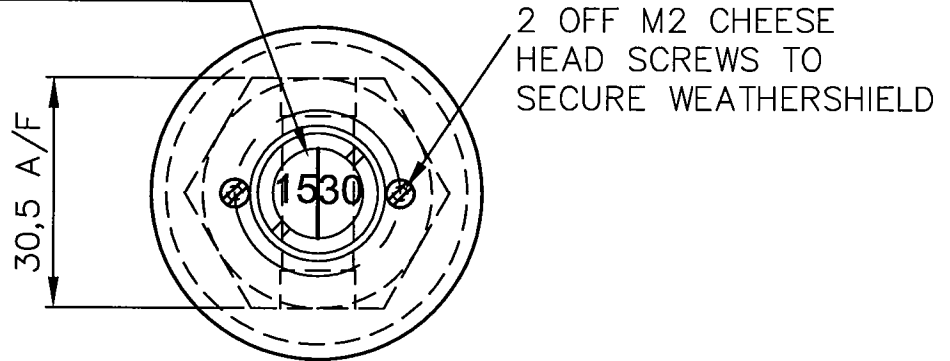


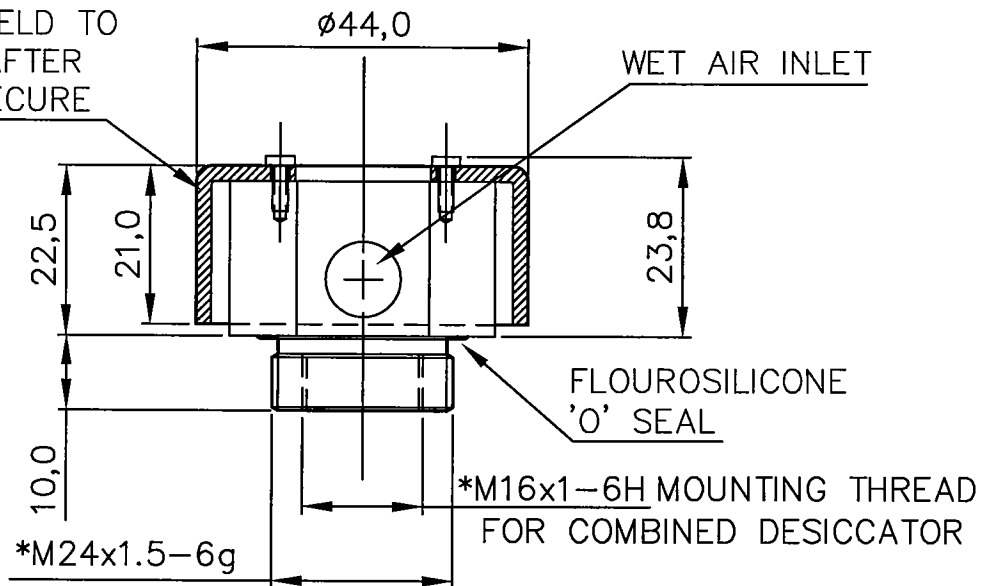
DRG No
BL/D9404 INST
USED ON

THIRD ANGLE PROJECTION

SPLIT LEVEL HUMIDITY INDICATOR
WITH GLASS SIGHT WINDOW






WEATHERSHIELD TO
BE FITTED AFTER
VALVE IS SECURE



NOTES :-

1. INWARD AND OUTWARD OPENING PRESSURE = 1.75 ± 0.25 PSI
2. *THREADS ALOCHROMED FOR RF SCREENING CONTINUITY

THIS DESIGN IS THE PROPERTY OF BROWNELL LTD. AND MAY NOT BE COPIED OR REPRODUCED WITHOUT THEIR PRIOR WRITTEN PERMISSION

MATERIAL ALUMINIUM ALLOY	PROTECTIVE FINISH HARD ANODISED TO DEF STAN 03-26 (SEE NOTE 2)	WAS INST DRG. OF WEATHERSHIELD ONLY			
		ORIGINAL	2	17-11-03	
EST. WT. _____	SURFACE ROUGHNESS _____	CHANGE	MOD No	ISSUE	DATE
DIMS IN MM _____	_____	TOLERANCES			
SCALE 1:1	_____	±0.1			
 RED DOT = ORIGINAL  BLACK DOT = COPY	BROWNELL LTD LONDON NW10 7XF		DRAWN PK	CHECKED 	
TITLE DOUBLE DIFFERENTIAL RELIEF VALVE & HUMIDITY INDICATOR(RF SCREENED)			DRAWING No. BL/D9404 INST		