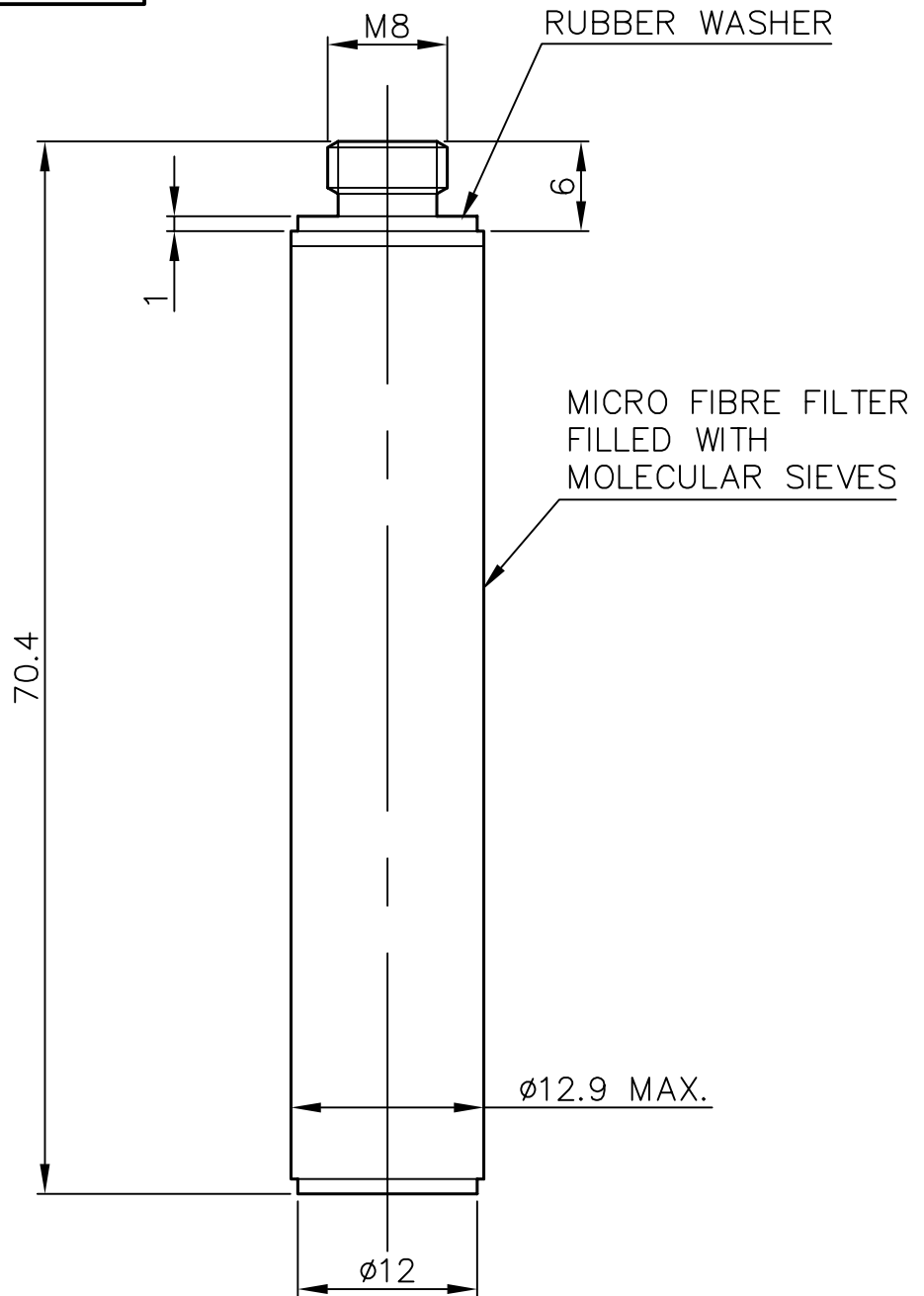




DRG No
BL/D9600 INST
USED ON

THIRD ANGLE PROJECTION



THIS DESIGN IS THE PROPERTY OF BROWNELL LTD, AND MAY NOT BE COPIED OR REPRODUCED WITHOUT THEIR PRIOR WRITTEN PERMISSION

MATERIAL	PROTECTIVE FINISH				
_____	_____				
		ORIGINAL		1	21-10-04
EST. WT. _____	SURFACE ROUGHNESS	CHANGE	MOD No	ISSUE	DATE
DIMS IN MM	_____	TOLERANCES _____			
SCALE 2:1	_____				
 RED DOT = ORIGINAL  BLACK DOT = COPY	BROWNELL LTD LONDON NW10 7XF	DRAWN PK	CHECKED		

TITLE DESICCATOR	DRAWING No. BL/D9600 INST
---------------------	------------------------------