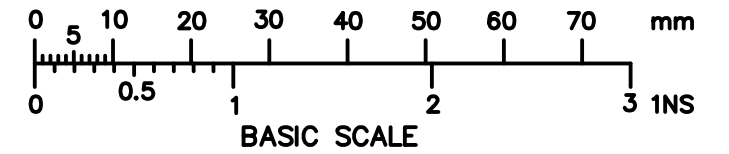


DRG No
BL/D9720/01-06

THIRD ANGLE PROJECTION



USED ON

REMOVE ALL SHARP EDGES UNLESS SPECIFIED

DO NOT SCALE - ASK

NOTES UNLESS OTHERWISE SPECIFIED:

1. NOMENCLATURE: VALVE, BREATHER, TWO-WAY RELIEF WITH MANUAL RELEASE BUTTON AND HUMIDITY INDICATOR.
2. REFERENCE SPECIFICATIONS: SAE AS26860, TYPE II, WITH COLOR CHANGE INDICATOR, AND SAE AS27166, TYPE III, WITH MODIFIED PERFORMANCE AS SHOWN BELOW:
3. PERFORMANCE:

3.1 THE RELATIVE HUMIDITY (RH) OF THE CONTAINER AIR IS INDICATED BY 20, 40 AND 60 PERCENT SEGMENTS ON INDICATOR CARD. A BLUE COLOR IN SEGMENT INDICATES RH IS LESS THAN NUMBER IN THAT SEGMENT. A LAVENDER OR PINK COLOR IN SEGMENT INDICATES RH IS EQUAL TO OR GREATER THAN NUMBER IN THAT SEGMENT. COLOR CHANGE IS REVERSIBLE UNDER NORMAL CONDITIONS.

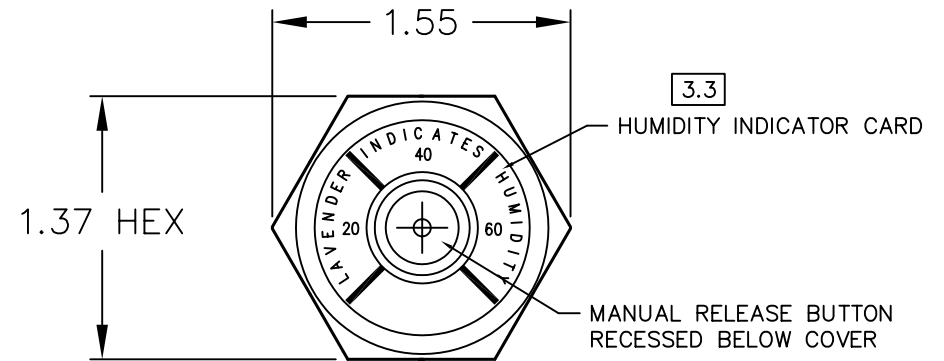
4. RECOMMENDED INSTALLATION TORQUE 40±10 INCHES-POUNDS.

5. MATERIALS:

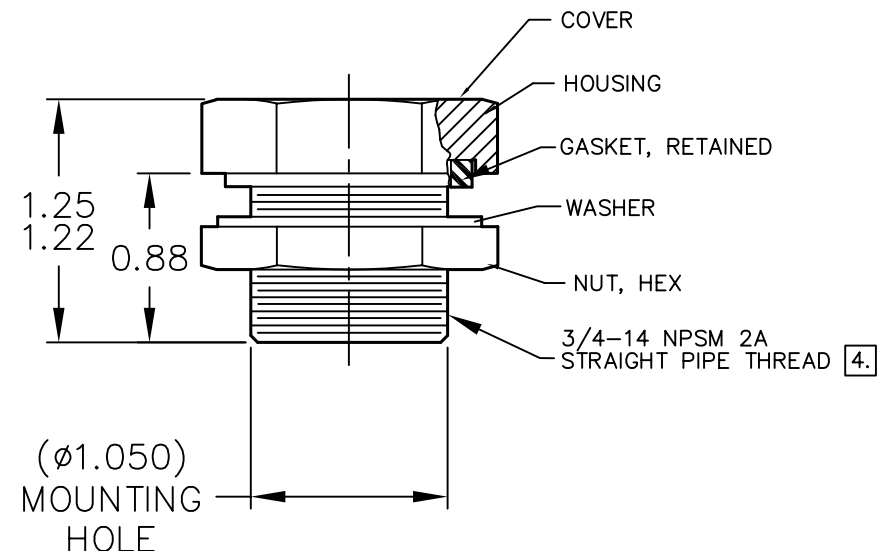
- 5.1 HOUSING, MANUAL RELEASE BUTTON, NUT AND WASHER: ALUMINUM ALLOY.
- 5.2 VALVE STEM (NOT SHOWN): CORROSION RESISTANT STEEL IAW AMS 5640.
- 5.3 WINDOW: TRANSPARENT HIGH STRENGTH PLASTIC.
- 5.4 GASKET: SILICONE RUBBER IAW ZZ-R-765, CLASS 2A OR 2B, GRADE 60.

6. FINISHES:

- 6.1 VALVE HOUSING, ANODIZED IAW MIL-A-8625, TYPE II, CLASS 1. REMAINING ALUMINUM ALLOYS: CONVERSION COAT IAW MIL-C-5541, CLASS 3.
- 6.2 MANUAL RELEASE BUTTON: ANODIZED IAW MIL-A-8625, TYPE II, CLASS 2, COLOR BLACK.



AIR FLOW "P" (OUT OF CONTAINER)
AIR FLOW "V" (INTO CONTAINER)



DRG. No.	PRESSURE SIDE (FLOW OUT)		VACUUM SIDE (FLOW IN)	
	SEALED @	MIN. FLOW RATE @ PRESSURE	SEALED @	MIN. FLOW RATE @ PRESSURE
BL/D9720/01	0.5 PSID	3.0 SCFM @ 2.0 PSID	0.5 PSID	4.0 SCFM @ 2.0 PSID
BL/D9720/02	1.0 PSID	2.5 SCFM @ 2.5 PSID	1.0 PSID	3.5 SCFM @ 2.5 PSID
BL/D9720/03	1.5 PSID	2.0 SCFM @ 3.0 PSID	1.5 PSID	3.0 SCFM @ 3.0 PSID
BL/D9720/04	2.0 PSID	2.0 SCFM @ 3.5 PSID	2.0 PSID	3.0 SCFM @ 3.5 PSID
BL/D9720/05	2.5 PSID	1.5 SCFM @ 4.0 PSID	2.5 PSID	2.5 SCFM @ 4.0 PSID
BL/D9720/06	3.0 PSID	1.5 SCFM @ 4.5 PSID	3.0 PSID	2.5 SCFM @ 4.5 PSID

ORIGINAL		1	08-07-05
CHANGE	MOD No	ISSUE	DATE

MATERIAL SEE NOTE 5	PROTECTIVE FINISH SEE NOTE 6	TOLERANCES _____	BROWNELL Ltd. LONDON NW10 7XF		RED DOT=ORIGINAL BLACK DOT=COPY	DRAWN PK	CHECKED
EST. WT.		DIMENSIONS IN in/mm INS	TITLE HUMI VALVE			DRAWING NUMBER BL/D9720/01-06 INST	
		SURFACE ROUGHNESS ---					
		SCALE (ORIGINAL) 1:2					

THIS DRAWING IS THE PROPERTY OF BROWNELL LTD. AND MAY NOT BE COPIED OR REPRODUCED WITHOUT THEIR PRIOR WRITTEN PERMISSION