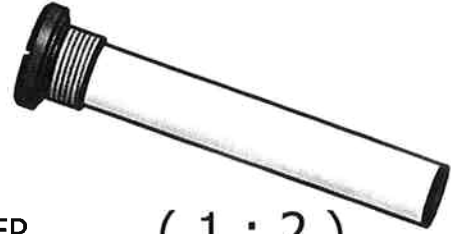


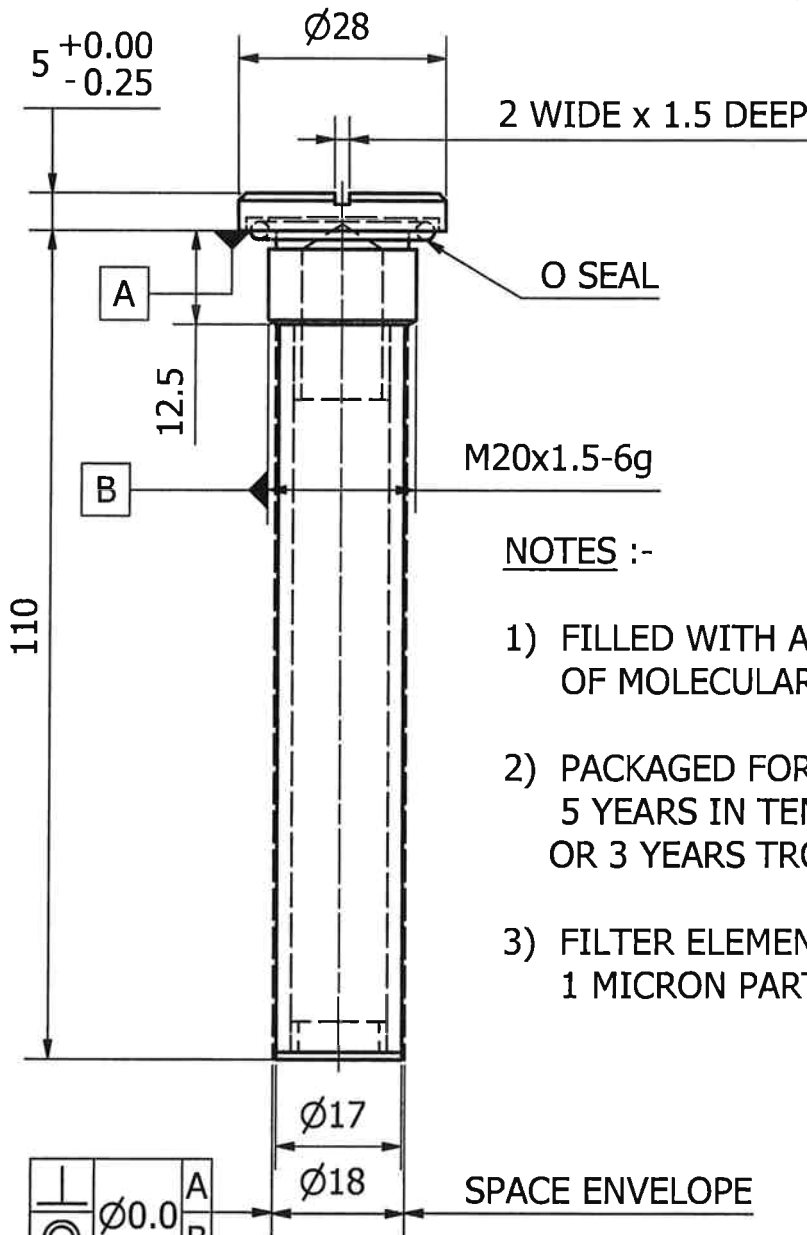
DRG No
BL/D9774 INST

THIRD ANGLE PROJECTION

USED ON



(1 : 2)



NOTES :-

- 1) FILLED WITH APPROX. 10 GRAMS OF MOLECULAR SIEVES DESICCANT
- 2) PACKAGED FOR A SHELF LIFE OF 5 YEARS IN TEMPERATE CONDITIONS OR 3 YEARS TROPICAL STORAGE.
- 3) FILTER ELEMENT FOR THE REMOVAL OF 1 MICRON PARTICULATES.

THIS DESIGN IS THE PROPERTY OF BROWNELL LTD, AND MAY NOT BE COPIED OR REPRODUCED WITHOUT THEIR PRIOR WRITTEN PERMISSION

MATERIAL ALUMINIUM ALLOY & EPOXY ESTER FILTER	PROTECTIVE FINISH				
	ALLY = ANODSIE & DYED BLACK	NSN ADDED	6178	2	22-12-05
EST. WT. -----	SURFACE ROUGHNESS	ORIGINAL		1	08-11-05
DIMS IN MM	-----	CHANGE	MOD No	ISSUE	DATE
SCALE 1:1	-----	TOLERANCES 0 =±0.5 0.0 =±0.25 0.00=±0.05			
RED DOT = ORIGINAL BLACK DOT = COPY	BROWNELL LTD			DRAWN	CHECKED
	LONDON NW10 7XF			PK	
TITLE NSN 4440-99-4221905		DRAWING No.			
DESICCATOR		BL/D9774 INST			